

# GSG2系列隔离开关

GSG2 Series Separated Switch

——配电电器产品名录 2013

安全 智能 环保



CE UL CCC TÜV CB RoHS  
ISO9001 ISO14001 OHSAS18001

# GSG2系列隔离开关



## >> 用途 APPLICATION

△ GSG2系列隔离开关适用于交流50Hz，额定电压至690V，直流额定电压至440V，额定电流至1600A的配电或电动机网络中作为不频繁接通、分断电路及线路的隔离之用。

△ GSG2 range separated switch are mainly used in the electricity-distribution networks or motor networks with AC frequency 50Hz, rated voltage up to 660V or DC rated voltage up to 440V and rated current up to 1600A as the master switch of the power supply to conduct the non-frequent making, breaking and isolation of the electrical circuits.

△ 产品广泛应用于建筑、电力、石油化工及其它行业的输、配电及自动化等系统，为国内同类产品中理想的更新换代产品。有多种结构与操作方式，有直接观察触头通断状态的窗口，有柜内、柜外操作，有柜后、侧面操作，有板后接线方式。

The products have been widely using in various fields of architecture, power, petrochemical industries as well as the ideal renewed and regenerated products in the same trade in the domestic markets. The products are made of various structures with various operating methods and advanced characteristics such as the visible window that can directly observe the making or breaking status of the contacts, the indoor or outdoor operations, front or side operations, rear-board connections ect..

## >> 结构特点 STRUCTURAL FEATURES

■ 弹簧蓄能瞬时释放的加速机构实现了快速接通和分断（13.8米/秒），与操作手柄速度无关，极大提高了熄灭电弧的能力。

Spring-storage instantaneous release of the body to speed up the realization of the rapid access and breaking (13.8 m / s), speed has nothing to do with the operation of the handle, have greatly improved the ability to arc out

■ 模块化设计结构，具有灵活多样的组合性，采用玻璃纤维增强不饱和聚脂树脂制造的外壳具有良好的阻燃性能、介电性能、抗碳化性和抗冲击性。

The modular design of the structure, with a flexible and diverse portfolio, the use of glass fiber reinforced unsaturated polyester resin-made shell has a good fire-retardant properties, dielectric properties, anti-carbonation and impact resistance.

■ 并联双断点触头,具有自清洁作用。

Parallel double-break point of contact with the self-cleaning effect

■ 所有触头材料是铜镀银合金，具有两个分离触头面。

All contact material is silver-plated copper alloy, with two separate face contact.

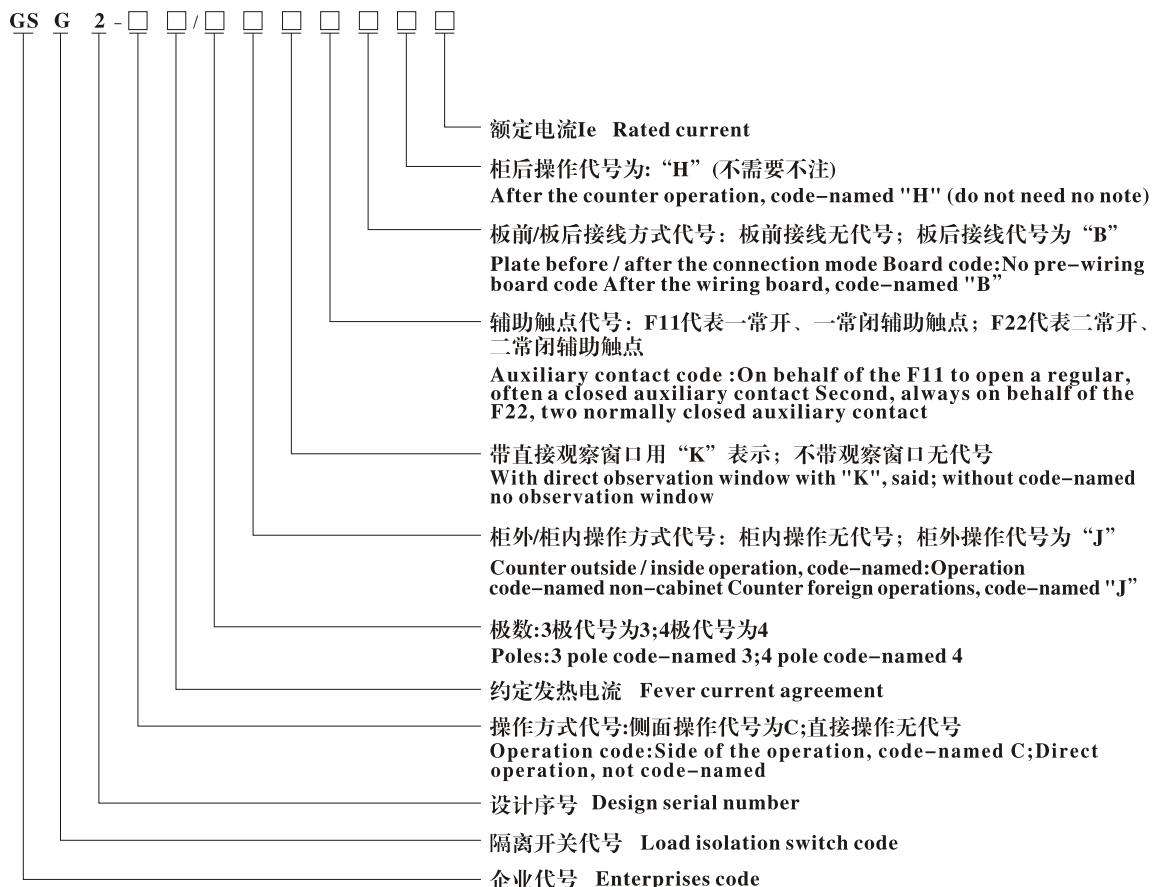
■ 隔离距离大。 Isolation instance the big.

## >> 符合标准及认证情况 CONFORM STANDS AND CERTIFICATION

■ 符合下列标准：Conform to the following standers:

- △ IEC60947-1 《低压开关设备和控制设备 第一部分 总则》  
IEC60947-1 《Low-voltage Switchgear and Control Gear Part I General Rules》
- △ IEC60947-3 《低压开关设备和控制设备 开关、隔离器、隔离开关以及熔断器组合电器》  
IEC60947-3 《Low-Voltage Switchgear and Control Gear Switchgear、 Isolation、 Separated Switch And Fuse Combination Apparatus》
- △ GB/T14048.1 《低压开关设备和控制设备 总则》  
GB/T14048.1 《Low-voltage Switchgear and Control Gear Part II General Rules》
- △ GB14048.3 《低压开关设备和控制设备 开关、隔离器、隔离开关以及熔断器组合电器》  
GB14048.3 《Low-Voltage Switchgear and Control Gear Switchgear、 Isolation、 Separated Switch And Fuse Combination Apparatus》
- △ 通过CCC认证、TUV认证  
Through the CCC certification、TUV certification.

## >> 型号及含义 TYPE AND MEANING



# GSG2系列隔离开关

## >> 正常工作条件与安装条件

### WORKING CONDITION AND INSTALLATION CONDITION

#### ■ 正常工作条件 normal working condition

△ 周围空气温度上限值不超过+40℃，且其24h内的平均温度值不超过+35℃，下限值不低于-5℃。

Environment temperature : -5℃ ~ +40℃, the average hours of temperature exceeding +35℃ during 24 hours.

△ 安装地点的海拔不超过2000m。 Elevation ≤2000m

△ 在最高温度为+40℃时，空气的相对湿度不超过50%。在较低温度下可以允许较高的相对湿度，例如+20℃时达90%。对由于温度变化偶尔产生的凝露应采取适当的措施。

No exceeding 50% at the maximum ambient temperature of 40℃ .with lower temperature, higher humidity would be permitted, for example ,with temperature 20℃, the humidity can exceed 90% .Take the special measure to the dews on the surface, which would appear due to temperature change.

△ 在无爆炸危险的介质中，且介质无足以腐蚀金属和破坏绝缘的气体和导电尘埃的地方。无雨雪侵袭的地方。

There must be not any explosive medium and there must be not any gas which would corrode metal or any conducting dust which would destroy the insulation. The place would not be invaded by rain and snow.

△ 污染等级3。 Pollution protection: Grade 3

#### ■ 安装条件 installation condition

△ 安装类别III、IV。 Installing categories: Class III、IV

△ 安装于配电箱、配电柜或盒中。 install in distribution cabinets、distribution drawer or box.

△ 一般应垂直安装。 Install way is verticality.

△ 安装处应无显著冲击和振动。 Products should be used in no significant impact and vibration place

## >> 主要技术参数 MAIN TECHNICAL PARAMETERS

约定发热电流 I <sub>th</sub> (A) Convention thermal current		160		250		630				1600			
额定电流 I <sub>e</sub> (A) Rated current		125	160	200	250	315	400	500	630	1000	1250	1600	
额定绝缘电压 U <sub>i</sub> (V) Rated insulation voltage		750	750	750	750	1000	1000	1000	1000	1000	1000	1000	
介电强度 (KV) Dielectric strength		5	5	5	5	8	8	8	8	10	10	10	
额定冲击耐受电压 U <sub>imp</sub> (KV) (安装类别IV) Rated impulse with stand voltage		8	8	8	8	12	12	12	12	12	12	12	
额定工作电流 (A) Rated work current (A)	415V AC21	125	160	200	250	315	400	500	630	1000	1250	1600	
		AC22	125	160	200	250	315	400	500	630	1000	1250	1600
		AC23	125	160	200	250	315	340	425	536	800	1000	1280
	690V AC21	125	160	200	250	315	400	400	500	1000	1000	1600	
		AC22	125	160	160	160	315	315	315	315	630	630	800
		AC23	50	63	70	80	125	125	125	125	400	400	500
	220V DC21	125	160	200	250	315	400	500	630	1000	1250	1600	
		DC22	125	160	200	250	315	400	400	500	1000	1250	1250
		DC23	125	125	160	200	315	400	400	500	1000	1250	1250
	440V DC21	100	125	160	200	315	400	400	500	1000	1250	1250	
		DC22	100	125	160	200	315	400	400	500	1000	1250	1250
		DC23	100	125	160	200	315	400	400	500	1000	1000	1000

电动机功率 P (KW) Motor power	415V	45	55	55	75	110	110	110	110	365	365	500
	690V	55	70	75	110	160	220	220	220	560	560	560
额定短时耐受电流I <sub>cw</sub> (KA Rms) 0.1s/1s Short-time with stand current		20/10	20/10	25/12	25/12	30/20	30/20	50/25	50/25	90/50	90/50	90/50
额定分断能力I <sub>cn</sub> (A Rms) AC23/410V Rated breaking capacity		1000	1000	1600	1600	2500	3200	3200	3200	8000	8000	8000
额定接通能力I <sub>cm</sub> (A Rms) AC23/410V Rated making capacity		1250	1250	2000	2000	3150	4000	4000	4000	10000	10000	10000
额定短路接通能力 KA Making capacity of rated short-circuit		12	12	17	17	30	30	40	40	70	70	70
机械寿命 (次) machine life span		10000	10000	10000	10000	5500	5500	5500	5500	4000	4000	3000
电气寿命 (次) Electrical life span	Cos φ=0.95 AC21	1500	1500	1500	1500	750	750	750	750	600	600	450
	Cos φ=0.65 AC22	1000	1000	1000	1000	500	500	500	500	400	400	300
	Cos φ=0.35 AC23	500	500	500	500	250	250	250	250	200	200	150
操作力矩 (N·m) Torque operation		6.5	6.5	10	10	14.5	14.5	14.5	14.5	27	27	27
重量 (Kg) Weight	3极 pole	1	1	2	2	3.5	3.5	4	4	10.5	10.5	16
	4极 pole	1.5	1.5	2.5	2.5	4	4	4.5	4.5	13	13	20

## >> 外形及安装尺寸

### OUTLINE AND INSTALLATION DIMENSIONS

#### ■ GSG2-160 ~ 1600隔离开关 (见下图)

Isolation Switches(see picture 1)

- △ GSG2系列隔离开关额定电流从125A ~ 1600A共分11个电流规格是模块化设计基础型，具有三极、四极（三极+可通断中性极），适用于电路的接通与分断或电气隔离，1000A以上只做电气隔离。

GSG2 range isolation switch from the current rating 125A ~ 1600A is divided into 11 is the current standard modular design-basis, with three or four very (three + four can be very off very neutral), applied to the circuit connection with the breaking or electrical isolation, 1000A more than just electrical isolation

- △ 正面有标记窗口指示触头通断状态。

Front window instructions marked off contact state

- △ 根据需要可提供后面观察窗口，直接观察触头通断状态。

According to the need to provide the back window of observation, direct observation of contact on-off state

- △ 操作方式有柜内操作和柜外操作之分。

Operation and the operation of a direct counter to operate outside of the sub

- △ 可装配两组辅助触点。

Two sets of auxiliary contact assembly

#### ■ GSG2-160 ~ 1600电器性能与机械性能

Electrical and mechanical performance



# GSG2系列隔离开关

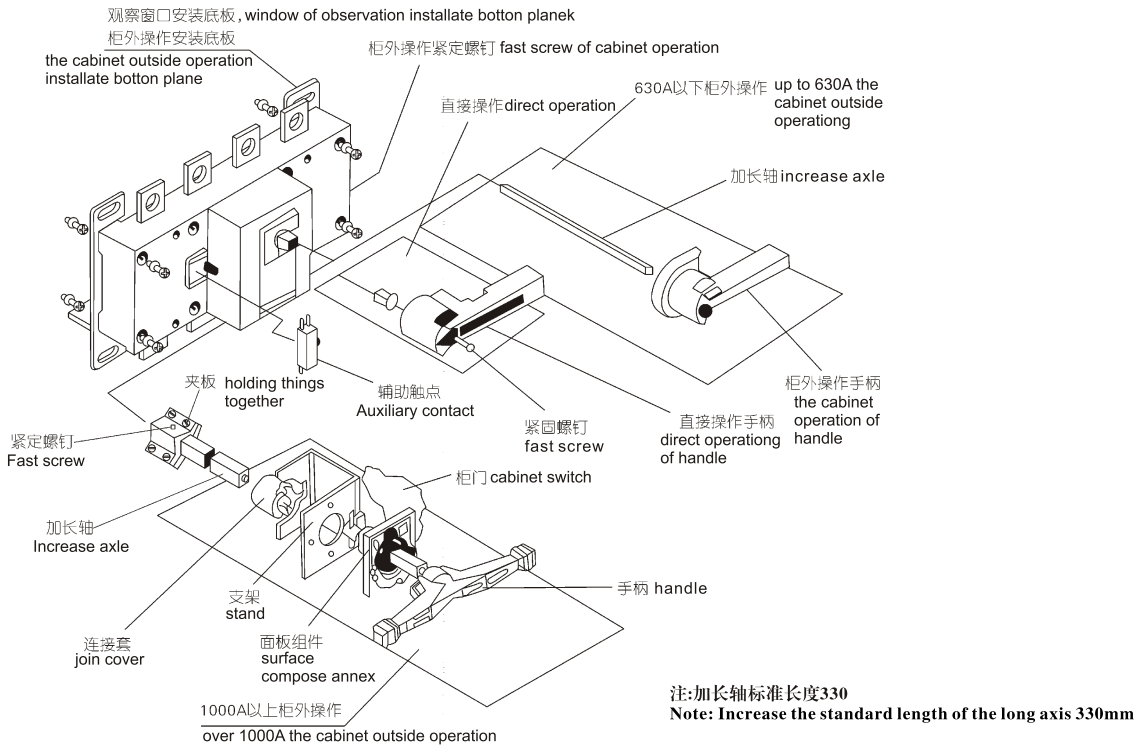
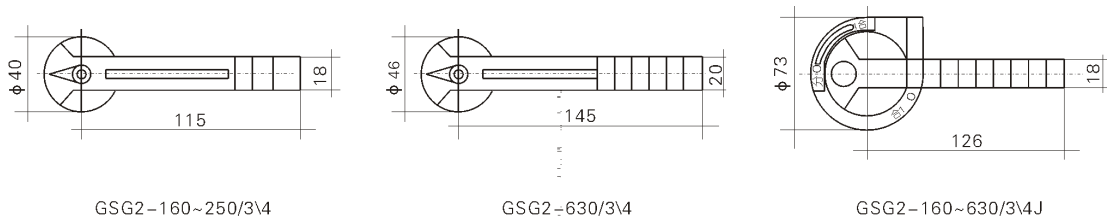
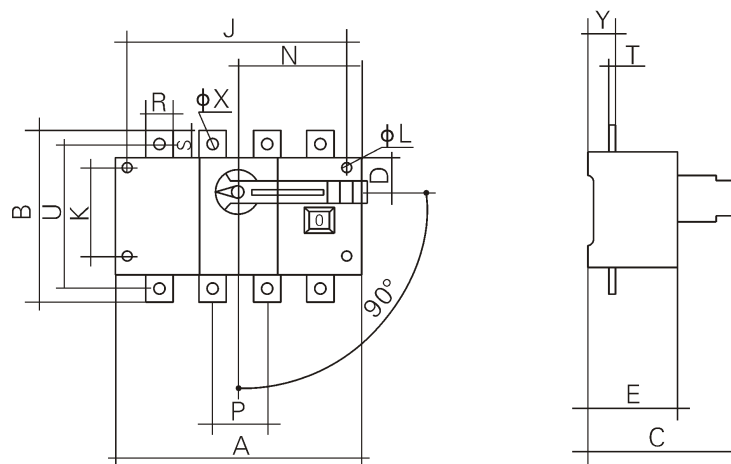


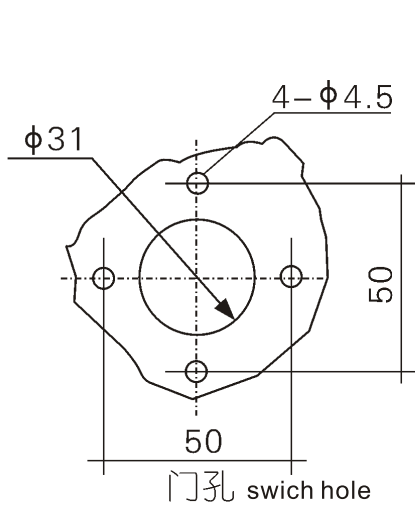
图1 GSG2-160 ~ 1600隔离开关  
Picture1 GSG2-160 ~ 1600 Isolation Switches



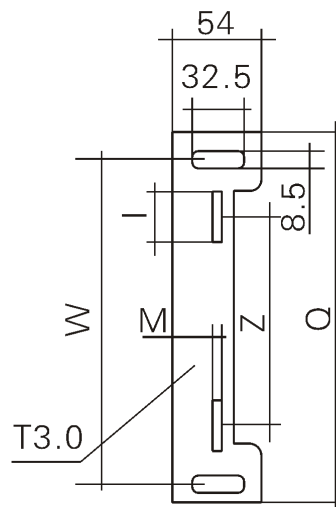
## GSG2-160 ~ 630隔离开关外形与安装尺寸(安装底板需特殊订货) GSG2-160 ~ 630 Isolation switches outline and mounting dimensions



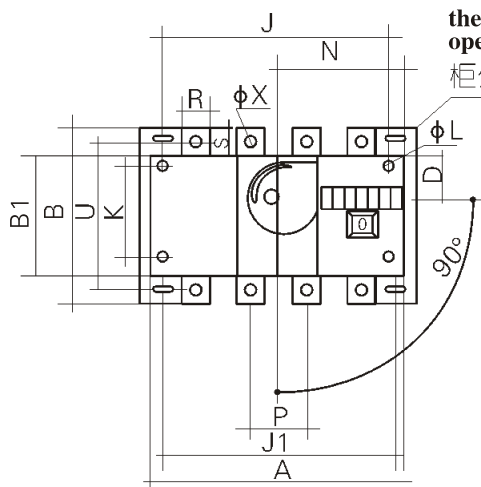
GSG2-160~630柜内操作  
GSG2-160~630 inside the cabinet operating



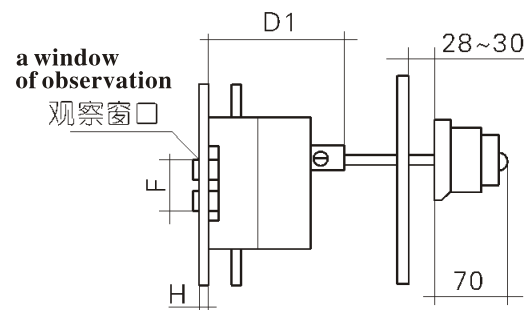
柜外手柄座安装尺寸  
the cabinet outside base  
installation dimensions



柜外操作安装底板尺寸  
the cabinet outside operation  
installate bottom dimensions



the cabinet outside  
operation installate bottom  
柜外操作安装底板



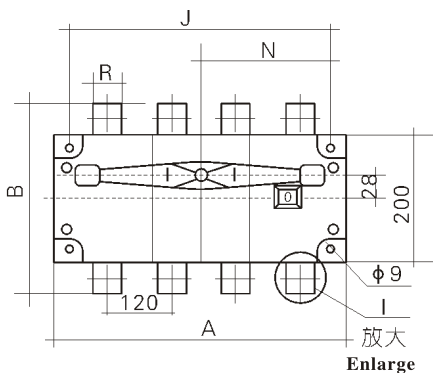
规格 character	底板尺寸 Floor size				
	I	M	Z	W	Q
125A	60	6.5	85	190	218
160A	60	6.5	85	190	218
200A	60	6.5	45	220	245
250A	60	6.5	45	220	245
315A	60	6.5	135	240	270
400A	60	6.5	135	240	270
500A	60	6.5	135	240	270
630A	60	6.5	135	240	270

# GSG2系列隔离开关

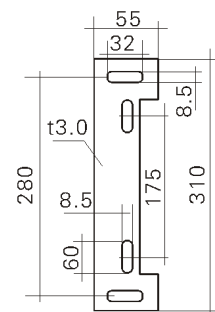
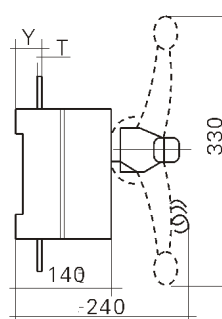
## GSG2-160 ~ 630/JK柜外操作 GSG2-160 ~ 630/JK Operate outside the cabinet

规格 character	外形尺寸和安装尺寸 Load isolation switch outline and mounting dimension																				
	A	B	C	D	D1	E	ΦL	J	J1	K	N	P	R	S	T	U	ΦX	Y	F	H	B1
125A/3	140	135	125	27	92	73	5.5	120	120	65	85	36	20	25	3.5	115	9	25	59	10	85
125A/4	170	135	125	27	92	73	5.5	150	150	65	85	36	20	25	3.5	115	9	25	59	10	
160A/3	140	135	125	27	92	73	5.5	120	120	65	85	36	20	25	3.5	115	9	25	59	10	
160A/4	170	135	125	27	92	73	5.5	150	150	65	85	36	20	25	3.5	115	9	25	59	10	
200A/3	180	170	138	35	98	86	5.5	160	160	90	115	50	25	30	3.5	140	11	25	76	15	110
200A/4	230	170	138	35	98	86	5.5	210	210	90	115	50	25	30	3.5	140	11	25	76	15	
250A/3	180	170	138	35	98	86	5.5	160	160	90	115	50	25	30	3.5	140	11	25	76	15	
250A/4	230	170	138	35	98	86	5.5	210	210	90	115	50	25	30	3.5	140	11	25	76	15	
315A/3	230	240	170	50	135	110	7	210	210	140	145	65	32	40	5	206	11	37	94	20	160
315A/4	290	240	170	50	135	110	7	270	270	140	145	65	32	40	5	206	11	37	94	20	
400A/3	230	240	170	50	135	110	7	210	210	140	145	65	32	40	5	206	11	37	94	20	
400A/4	290	240	170	50	135	110	7	270	270	140	145	65	32	40	5	206	11	37	94	20	
500A/3	230	260	170	50	135	110	7	210	210	140	145	65	40	50	5	220	13	37	94	20	
500A/4	290	260	170	50	135	110	7	270	270	140	145	65	40	50	5	220	13	37	94	20	
630A/3	230	260	170	50	135	110	7	210	210	140	145	65	40	50	5	220	13	37	94	20	
630A/4	290	260	170	50	135	110	7	270	270	140	145	65	40	50	5	220	13	37	94	20	

## GSG2-1600隔离开关外形尺寸与安装尺寸(安装底板需特殊订货) GSG2-1600 Isolation switches outline and mounting dimensions

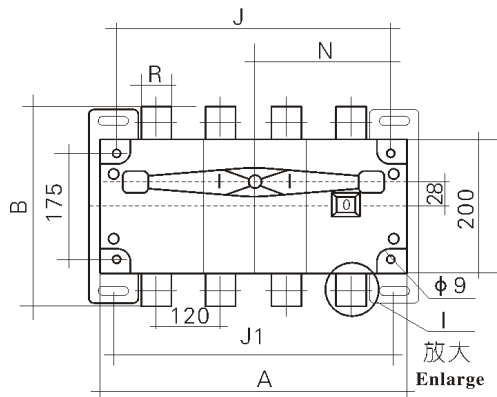


GSG2-1600柜内操作  
GSG2-1600 inside the cabinet operation

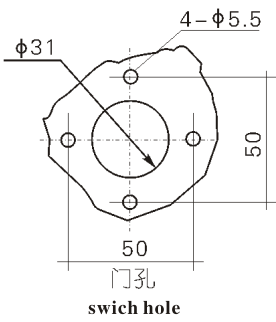
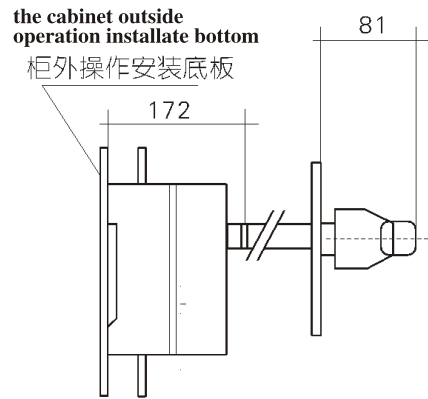


柜外操作安装底板尺寸  
the cabinet outside operation  
installate bottom dimensions

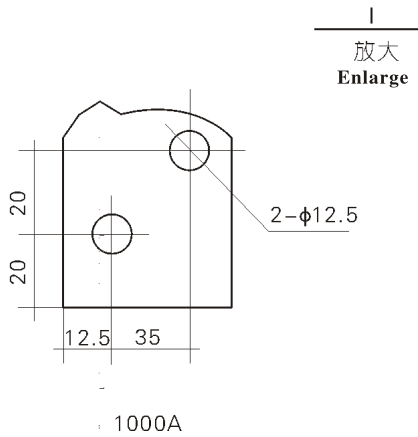




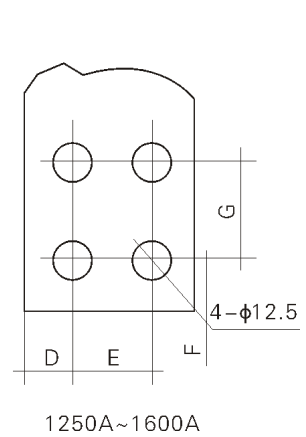
GSG2-1600/J柜外操作  
GSG2-1600/J the cabinet outside operation



柜外手柄座安装尺寸  
the cabinet outside base  
installation dimensions



1000A



1250A~1600A

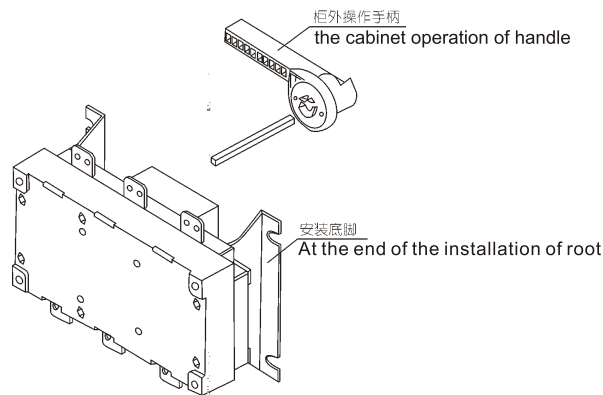
规格 character	外形尺寸与安装尺寸 Load isolation switch outline and mounting dimension											
	A	B	D	E	F	G	J	J1	N	R	T	Y
1000A/3	378	312					353	353	185	60	8	48
1000A/4	498	312					473	473	249	60	8	48
1250A/3	378	356	20	40	20	35	353	353	185	80	8	48
1250A/4	498	356	20	40	20	35	473	473	249	80	8	48
1600A/3	378	356	20	40	20	35	353	353	185	80	10	49
1600A/4	498	356	20	40	20	35	473	473	249	80	10	49

# GSG2系列隔离开关

## ■ GSG2-160 ~ 1600/H柜后操作隔离开关

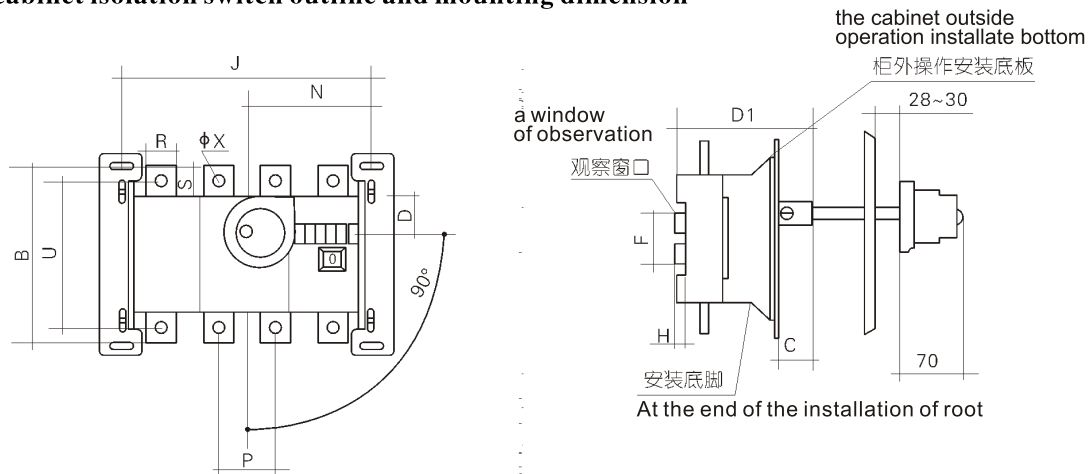
After the cabinet isolation switch

- △ 25A ~ 630A隔离开关适用于电路的接通与分断或电气隔离，额定电流1000A以上只适用于电气隔离。  
125A ~ 630A apply to the isolation switch circuit connected with the breaking or electrical isolation, rated current 1000A above apply only to electrical isolation.
  - △ 有三极、四极（三极+可通断中性极）产品。  
There are three series, four series (three series + can be very off very neutral) products
  - △ 630A以上可根据需要提供有观察窗口的产品，直接观察触头的通断状态。  
630A can be more than provide a window of observation, direct observation of contact on-off state
  - △ 可根据需要配装两组辅助触点。  
Can be equipped with two mounted auxiliary contacts
  - △ 电气性能与机械性能与GSG2-160 ~ 1600电气性能与机械性能对应相同。  
Electrical and mechanical properties and performance GSG2-160 ~ 1600 performance of electrical and mechanical properties of the same as the corresponding.
- 注：仅提供柜外操作产品。 Note: Only products that operate outside the cabinet.

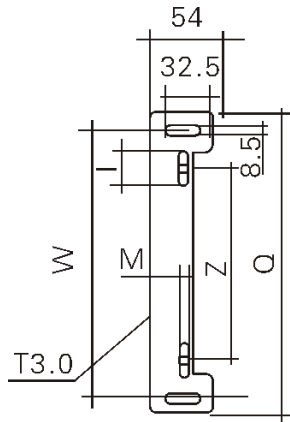


## ■ GSG2-160 ~ 630/H柜后操作隔离开关外形尺寸与安装尺寸

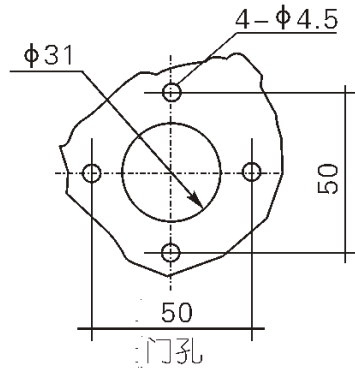
After the cabinet isolation switch outline and mounting dimension



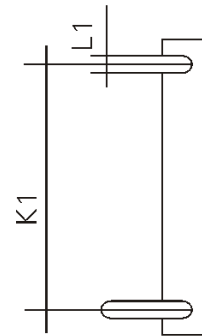
GSG2-160~630/JKH柜外操作  
GSG2-160~630/JKH the cabinet outside operation



柜外操作安装底板尺寸  
the cabinet outside base  
installation dimensions



柜外手柄座安装尺寸  
the cabinet outside operation  
installate bottom dimensions



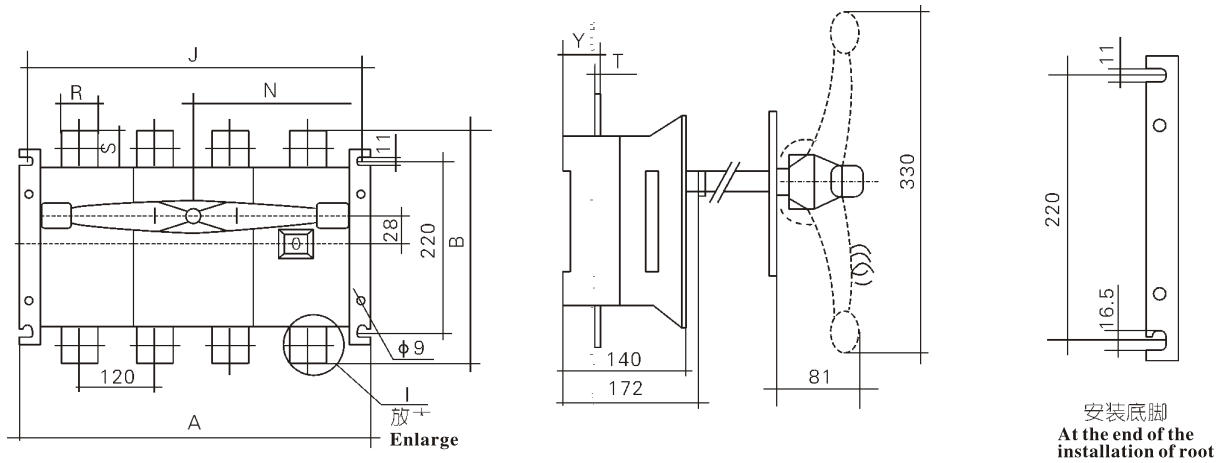
安装底脚  
At the end of the  
installation of root

规格 character	底板及底脚尺寸 Bottom plank and floor sizes						
	I	M	Z	W	Q	K1	L1
125A	60	6.5	85	190	218	95	7
160A	60	6.5	85	190	218	95	7
200A	60	6.5	110	220	245	116	9
250A	60	6.5	110	220	245	116	9
315A	60	8.5	135	240	270	180	11
400A	60	8.5	135	240	270	180	11
500A	60	8.5	135	240	270	180	11
630A	60	8.5	135	240	270	180	11

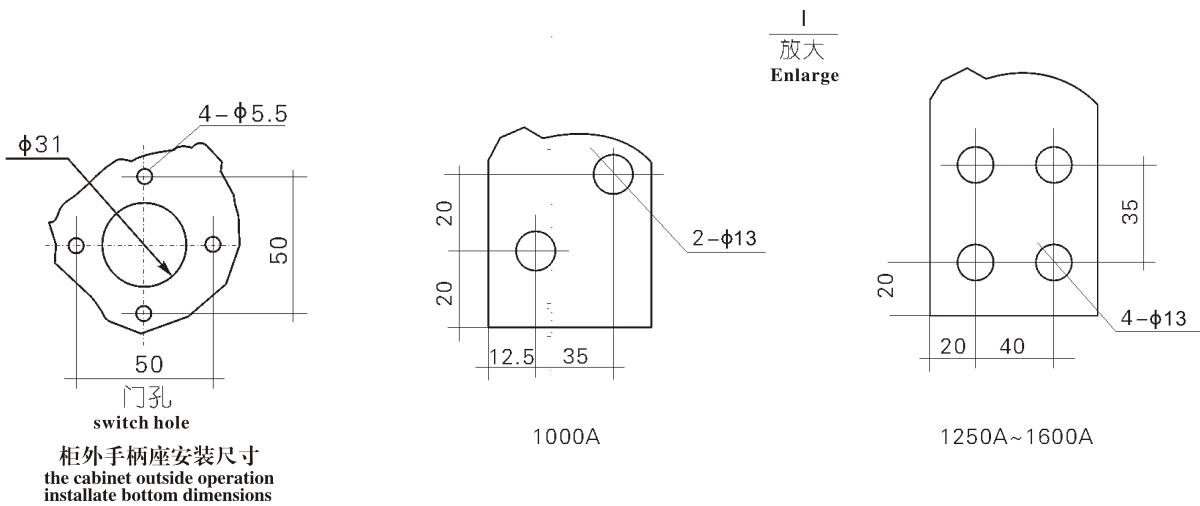
规格 character	外形及安装尺寸 Load isolation switch outline and mounting dimension												
	B	C	D	D1	J	N	P	R	U	ΦX	F	H	S
125A/3	135	17	27	92	120	75	36	20	115	9	59	10	25
125A/4	135	17	27	92	150	75	36	20	115	9	59	10	25
160A/3	135	17	27	92	120	75	36	20	115	9	59	10	25
160A/4	135	17	27	92	150	75	36	20	115	9	59	10	25
200A/3	170	18	35	98	160	105	50	25	140	11	76	15	30
200A/4	170	18	35	98	210	105	50	25	140	11	76	15	30
250A/3	170	18	35	98	160	105	50	25	140	11	76	15	30
250A/4	170	18	35	98	210	105	50	25	140	11	76	15	30
315A/3	240	20	50	135	210	135	65	32	206	11	94	20	40
315A/4	240	20	50	135	270	135	65	32	206	11	94	20	40
400A/3	240	20	50	135	210	135	65	32	206	11	94	20	40
400A/4	240	20	50	135	270	135	65	32	206	11	94	20	40
500A/3	260	20	50	135	210	135	65	40	220	13	94	20	50
500A/4	260	20	50	135	270	135	65	40	220	13	94	20	50
630A/3	260	20	50	135	210	135	65	40	220	13	94	20	50
630A/4	260	20	50	135	270	135	65	40	220	13	94	20	50

# GSG2系列隔离开关

## GSG2-1600/H柜后操作隔离开关外形与安装尺寸 After the board wiring isolation switch outline and mounting dimension



GSG2-1600/JH柜外操作  
GSG2-1600/JH the cabinet outside operation



柜外手柄座安装尺寸  
the cabinet outside operation  
installate bottom dimensions

规格 character	外形及安装尺寸 Load isolation switch outline and mounting dimension							
	A	B	J	N	R	S	T	Y
1000A/3	378	312	353	174	60	56	8	48
1000A/4	498	312	473	238	60	56	8	48
1250A/3	378	338	353	174	80	78	8	48
1250A/4	498	338	473	238	80	78	8	48
1600A/3	378	338	353	174	80	78	10	49
1600A/4	498	338	473	238	80	78	10	49

## ■ GSG2-160 ~ 1600/B板后接线隔离开关

After the board wiring isolation switch

- △ 125A ~ 630A适用于电路的接通与分断或电气隔离，1000A以上只适用于电气隔离。

125A ~ 630A apply to the circuit connection with the breaking or electrical isolation, 1000A above apply only to electrical isolation

- △ 160A ~ 1600A有三极、四极（三极+可通断中性极）。

160A ~ 1600A there are three series, four series (three + can be very off very neutral)

- △ 630A以下可根据需要提供有观察窗口的产品，直接观察触头的通断状态。

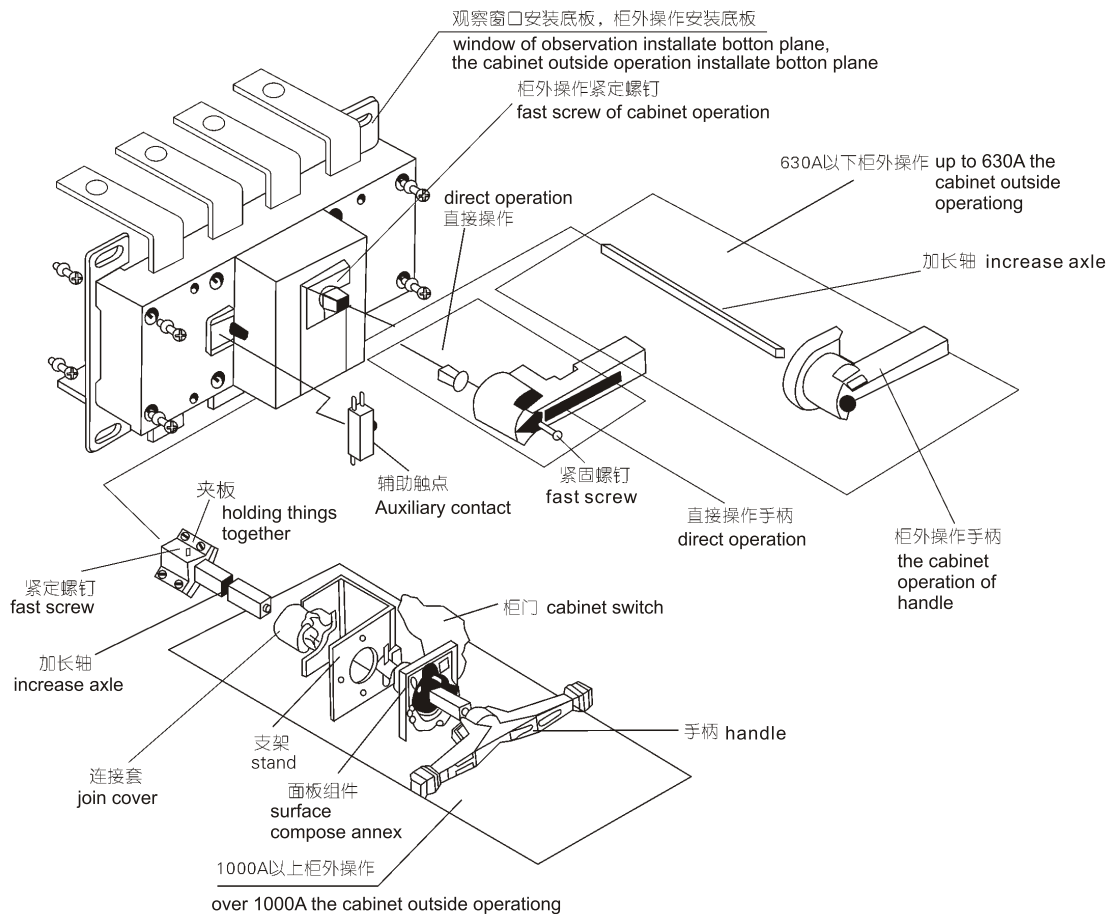
The following 630A may need to offer an observation window product, direct observation of contact on-off state

- △ 可根据需要配装两组辅助触头。

Can be equipped with two mounted auxiliary contacts

- △ 电气性能与机械性能和GSG2-160 ~ 1600电气性能与机械性能对应相同。

Electrical and mechanical properties and performance GSG2-160 ~ 1600 performance of electrical and mechanical properties of the same as the corresponding



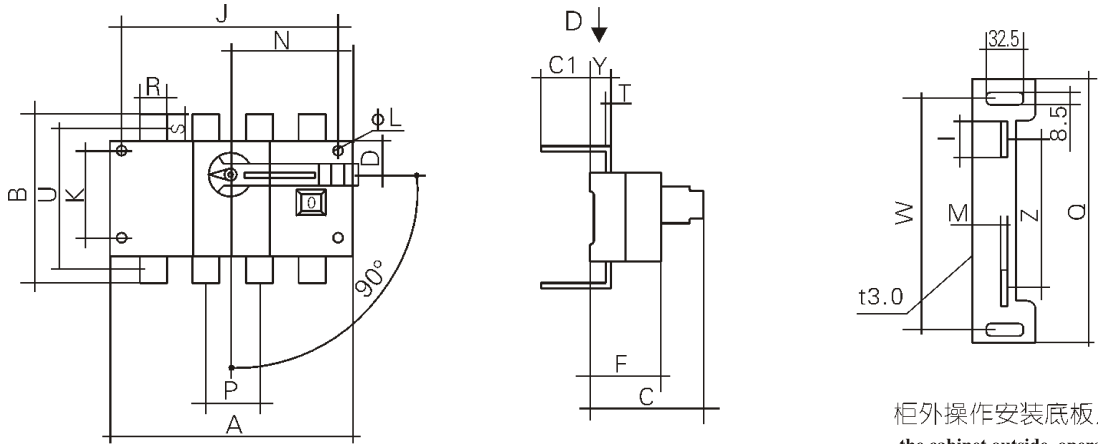
注:加长轴标准长度330

Note: Increase the standard length of the long axis 330mm

# GSG2系列隔离开关

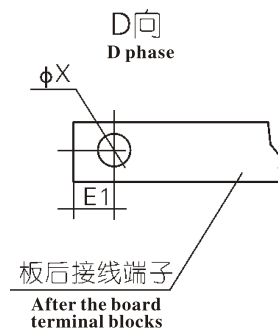
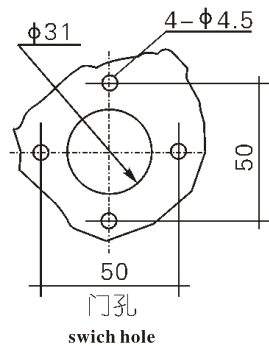
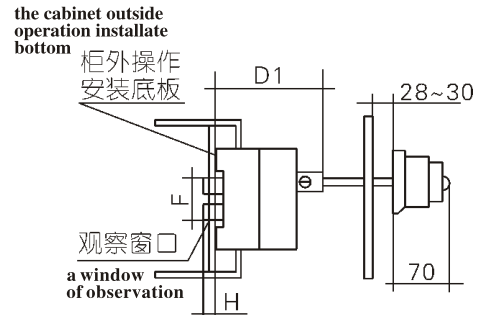
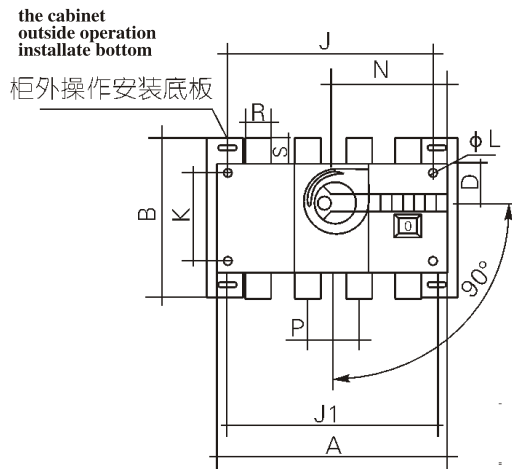
## GSG2-160 ~ 630/B板后接线隔离开关外形与安装尺寸

### GSG2-160 ~ 630/B Lateral isolation switch outline and mounting



GSG2-160~630/B柜内操作  
GSG2-160~630/B inside the cabinet operationg

柜外操作安装底板尺寸  
the cabinet outside operation installate bottom dimensions





规格 character	底板尺寸 Floor size				
	I	M	Z	W	Q
125A	60	6.5	85	190	218
160A	60	6.5	85	190	218
200A	60	6.5	110	220	245
250A	60	6.5	110	220	245
315A	60	6.5	130	240	270
400A	60	6.5	130	240	270
500A	60	6.5	130	240	270
630A	60	6.5	130	240	270

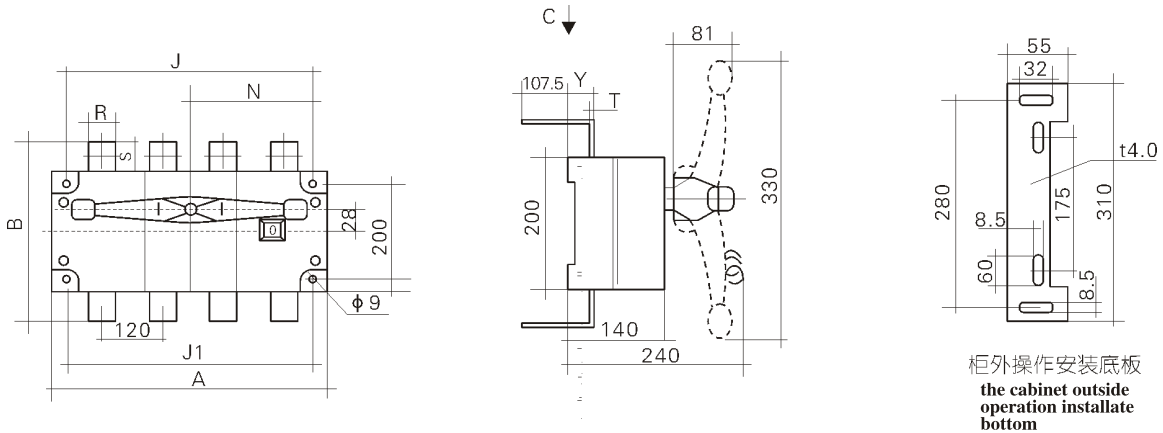
## GSG2-160~630/JKB柜外操作 GSG2-160 ~ 630/JKB Operate outside the cabinet

规格 character	外形尺寸及安装尺寸 Load isolation switch outline and mounting dimension																				
	A	B	C	C1	D	D1	E	E1	ΦL	J	J1	K	N	P	R	S	T	ΦX	Y	F	H
125A/3	140	135	125	70	27	92	73	10	5.5	120	120	65	75	36	20	25	3.5	9	25	59	10
125A/4	170	135	125	70	27	92	73	10	5.5	150	150	65	75	36	20	25	3.5	9	25	59	10
160A/3	140	135	125	70	27	92	73	10	5.5	120	120	65	75	36	20	25	3.5	9	25	59	10
160A/4	170	135	125	70	27	92	73	10	5.5	150	150	65	75	36	20	25	3.5	9	25	59	10
200A/3	180	170	138	75	35	98	86	15	5.5	160	160	90	105	50	25	30	3.5	11	25	76	15
200A/4	230	170	138	75	35	98	86	15	5.5	210	210	90	105	50	25	30	3.5	11	25	25	15
250A/3	180	170	138	75	35	98	86	15	5.5	160	160	90	105	50	25	30	3.5	11	25	76	15
250A/4	230	170	138	75	35	98	86	15	5.5	210	210	90	105	50	25	30	3.5	11	25	76	15
315A/3	230	240	170	83	50	135	110	17	7	210	210	140	135	65	32	40	5	11	37	94	20
315A/4	290	240	170	83	50	135	110	17	7	270	270	140	135	65	32	40	5	11	37	94	20
400A/3	230	240	170	83	50	135	110	17	7	210	210	140	135	65	32	40	5	11	37	94	20
400A/4	290	240	170	83	50	135	110	17	7	270	270	140	135	65	32	40	5	11	37	94	20
500A/3	230	260	170	83	50	135	110	20	7	210	210	140	135	65	40	50	6	11	37	94	20
500A/4	290	260	170	83	50	135	110	20	7	270	270	140	135	65	40	50	6	11	37	94	20
630A/3	230	260	170	83	50	135	110	20	7	210	210	140	135	65	40	50	6	11	37	94	20
630A/4	290	260	170	83	50	135	110	20	7	270	270	140	135	65	40	50	6	11	37	94	20

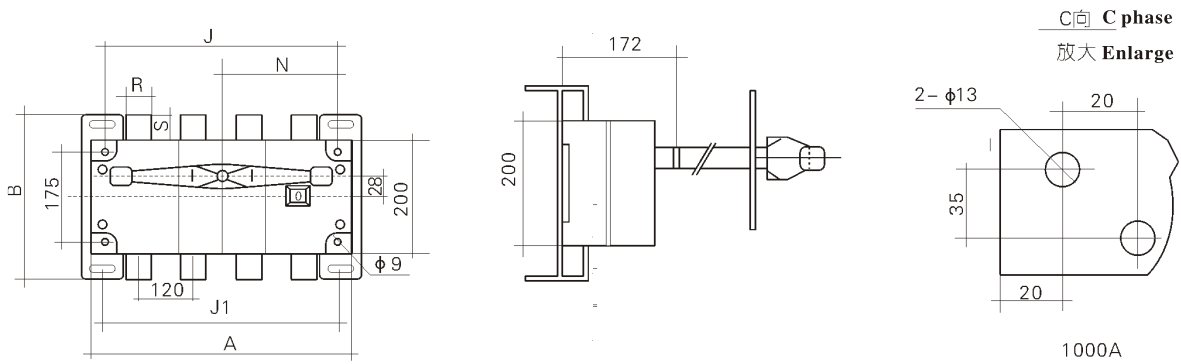
# GSG2系列隔离开关

## GSG2-1600/B板后接线隔离开关外形与安装尺寸

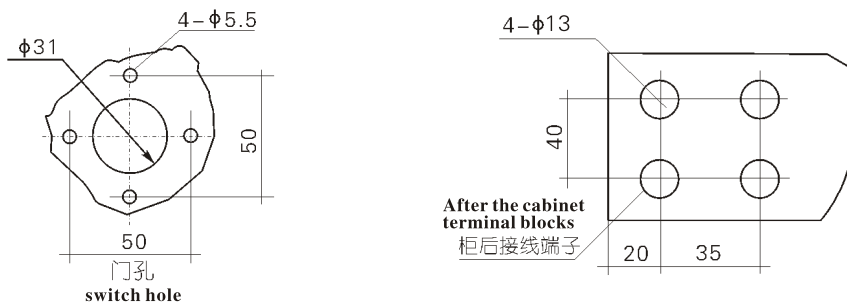
### GSG2-1600/B Lateral isolation switch outline and mounting dimension



GSG2-1600/B 柜内操作  
GSG2-1600/B inside the cabinet operating



GSG2-1600/JB 柜外操作  
GSG2-1600/JB the cabinet outside operation



柜外手柄座安装尺寸  
the cabinet outside base  
installation dimensions

规格 character	外形尺寸及安装尺寸 Load isolation switch outline and mounting dimension								
	A	B	J	J1	N	R	S	T	Y
1000A/3	378	312	353	353	174	60	56	8	48
1000A/4	498	312	473	473	238	60	56	8	48
1250A/3	378	356	353	353	174	80	78	8	48
1250A/4	498	356	473	473	238	80	78	8	48
1600A/3	378	356	338	353	174	80	78	10	49
1600A/4	498	356	473	473	238	80	78	10	49

#### ■ GSG2-C160 ~ 1600侧面操作隔离开关

##### GSG2-C160 ~ 1600 Lateral lisation switch

- △ 125A ~ 630A适用于电路的接通与分断或电气隔离。有三极、四极（三极+可通断中性极），1000A以上只适用于电气隔离。

125A ~ 630A apply to the circuit connection with the breaking or electrical isolation. There are three series, four series (three + can be very off very neutral), 1000A above apply only to electrical isolation

- △ 630A以下可根据需要提供有观察窗口的产品，直接观察触头的通断状态。

The following 630A may need to offer an observation window product, direct observation of contact on-off state

#### ■ 操作方式：Operation

- △ 直接操作：手柄安装在开关右侧。

Direct: handle mounted on the right side of the switch

- △ 柜外操作：手柄安装在配电柜柜门外。

Outside the cabinet: the installation of the handle in the distribution outside the cabinet doors

- △ 根据需要可装配两组辅助触点。

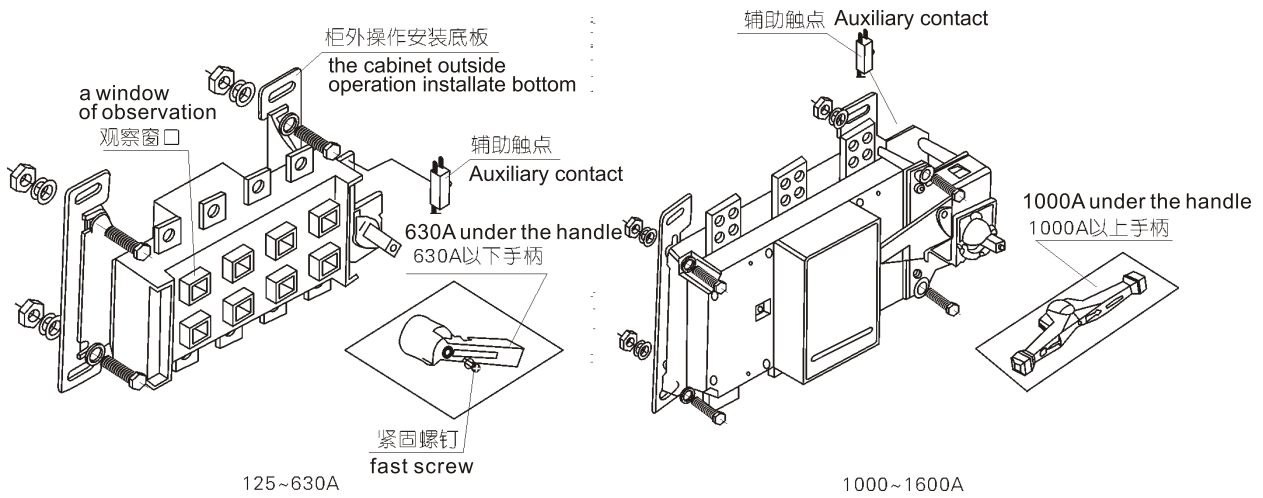
Can be equipped with two mounted auxiliary contacts

- △ 加长轴用于柜外操作。Canadian counter-major axis for foreign operations

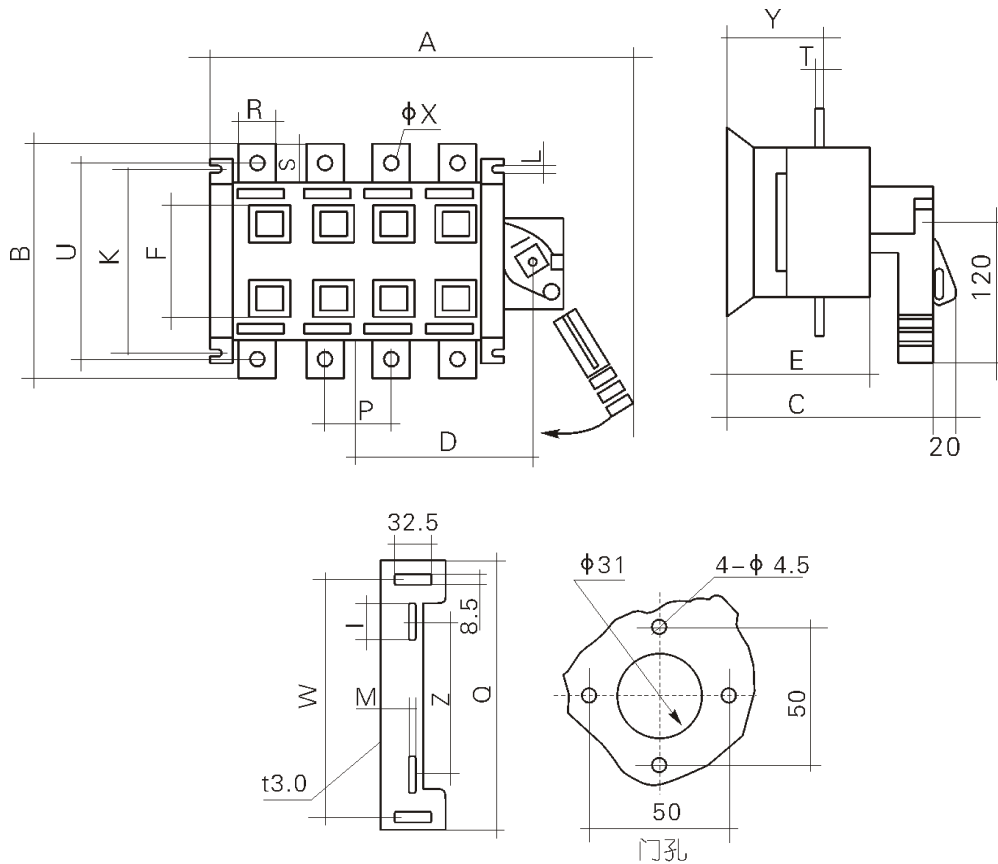
- △ 电气性能与机械性能和GSG2-160 ~ 1600电气性能与机械性能对应相同。

Electrical and mechanical properties and performance GSG2-160 ~ 1600 performance of electrical and mechanical properties of the same as the corresponding

# GSG2系列隔离开关



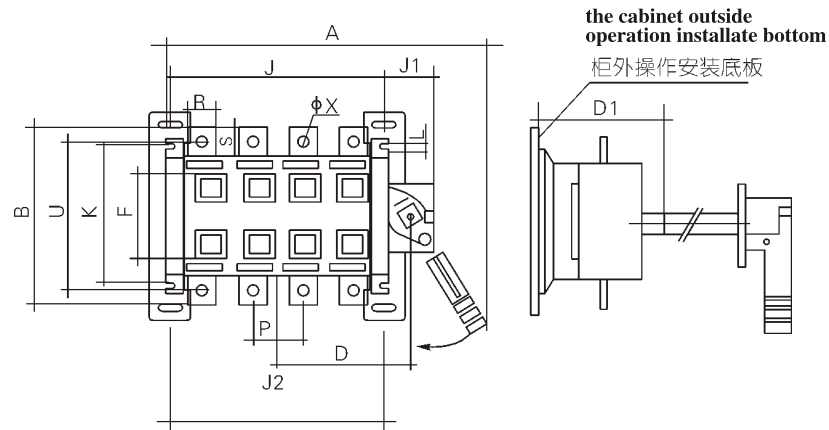
## GSG2-C160 ~ 630侧面操作隔离开关外形与安装尺寸 GSG2-C160 ~ 630 Lateral isolation switch outline and mounting dimension



柜外操作安装底板尺寸  
the cabinet outside operation  
installate bottom dimensions

柜外手柄座安装尺寸  
the cabinet outside base  
installation dimensions

GSG2-C160~630/K 柜内操作  
GSG2-C160~630/K inside the cabinet operationg



GSG2-C160~630/JK 柜外操作  
GSG2-C160~630/JK the cabinet outside operation

规格 character	底板尺寸 Floor size				
	I	M	Z	W	Q
125A	60	6.5	85	218	190
160A	60	6.5	85	218	190
200A	60	6.5	110	245	220
250A	60	6.5	110	245	220
315A	60	6.5	135	270	240
400A	60	6.5	135	270	240
500A	60	6.5	135	270	240
630A	60	6.5	135	270	240

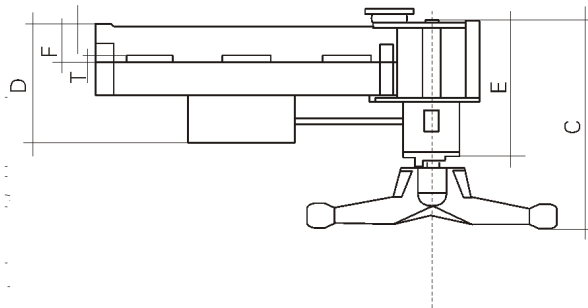
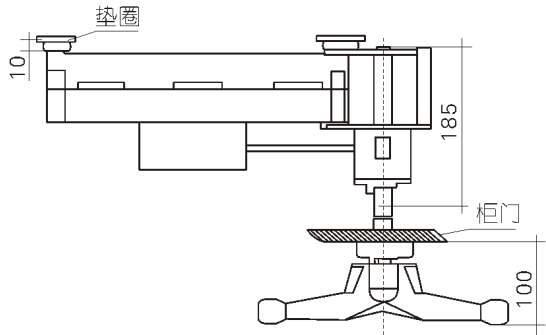
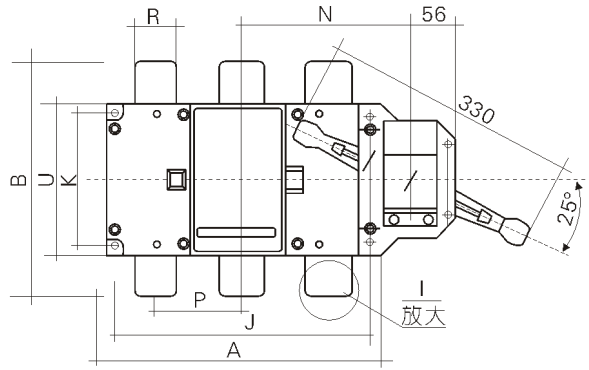
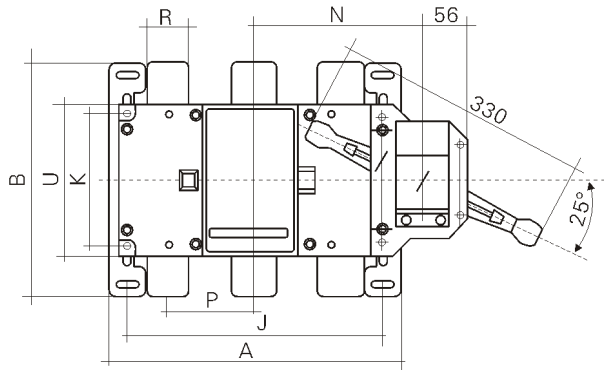
规格 character	外形尺寸及安装尺寸 Load isolation switch outline and mounting dimension																		
	A	B	B	D	D1	E	J	J1	J2	K	P	R	S	T	U	ΦX	Y	L	F
125A/3	267	135	146	89	110	83	120	65	120	95	36	20	25	3.5	115	9	52	7	59
125A/4	297	135	146	104	110	83	150	65	150	95	36	20	25	3.5	115	9	52	7	59
160A/3	267	135	146	89	110	83	120	65	120	95	36	20	25	3.5	115	9	52	7	59
160A/4	297	135	146	104	110	83	150	65	150	95	36	20	25	3.5	115	9	52	7	59
200A/3	308	170	156	110	120	92	160	65	160	115	50	25	30	3.5	140	11	60	9	76
200A/4	358	170	156	135	120	92	210	65	210	115	50	25	30	3.5	140	11	60	9	76
250A/3	308	170	156	110	120	92	160	65	160	115	50	25	30	3.5	140	11	60	9	76
250A/4	358	170	156	135	120	92	210	65	210	115	50	25	30	3.5	140	11	60	9	76
315A/3	400	240	195	150	150	115	160	77	160	180	50	32	40	5	206	11	80	11	94
315A/4	465	240	195	180	150	115	210	77	210	180	50	32	40	5	206	11	80	11	94
400A/3	400	240	195	150	150	115	210	77	210	180	65	32	40	5	206	11	80	11	94
400A/4	465	240	195	180	150	115	270	77	270	180	65	32	40	5	206	11	80	11	94
500A/3	400	260	195	150	150	115	210	77	210	180	65	40	50	5	220	13	80	11	94
500A/4	465	260	195	180	150	115	270	77	270	180	65	40	50	5	220	13	80	11	94
630A/3	400	260	195	150	150	115	210	77	210	180	65	40	50	6	220	13	80	11	94
630A/4	465	260	195	180	150	115	270	77	270	180	65	40	50	6	220	13	80	11	94

# GSG2系列隔离开关



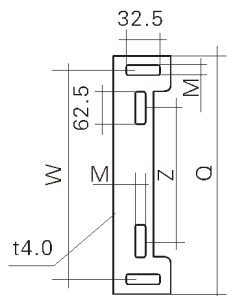
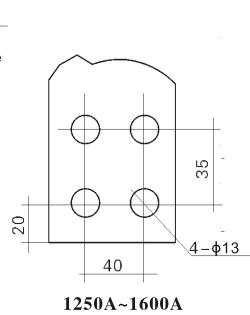
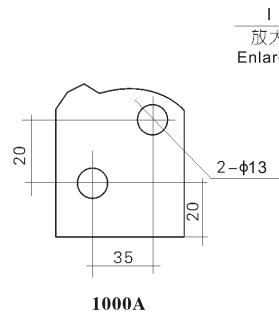
## GSG2-C1600侧面操作隔离开关外形与安装尺寸

GSG2-C160 ~ 1600 Lateral isolation switch outline and mounting dimensions

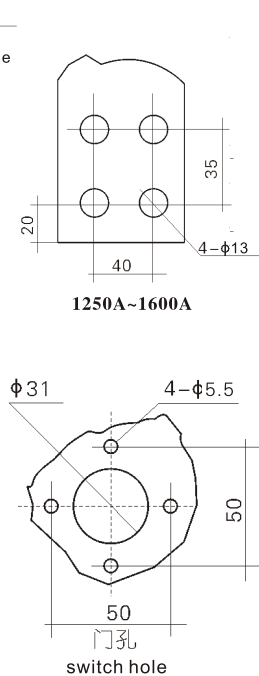


GSG2-C1600/3J 柜外操作  
GSG2-C1600/3J the cabinet outside operation

GSG2-C1600/3 柜内操作  
GSG2-C1600/3 inside the cabinet operation



柜外操作安装底板尺寸  
the cabinet outside operation  
installate bottom dimensions



柜外手柄座安装尺寸  
the cabinet outside base  
installation dimensions



规格 character	外形尺寸及安装尺寸 Load isolation switch outline and mounting dimension																
	A	B	B	D	E	F	J	K	M	N	P	Q	R	U	T	W	Z
1000A/3	378	312	242	143	163	48	353	175	8.5	226	120	310	60	200	8	280	175
1000A/4	498	312	242	143	163	48	473	175	8.5	286	120	310	60	200	8	280	175
1250A/3	378	356	242	143	163	48	353	175	8.5	226	120	310	80	200	8	280	175
1250A/4	498	356	242	143	163	48	473	175	8.5	286	120	310	80	200	8	280	175
1600A/3	378	356	242	143	163	49	353	175	8.5	226	120	310	80	200	10	280	175
1600A/4	498	356	242	143	163	49	473	175	8.5	286	120	310	80	200	10	280	175

## >> 使用与维护 USE AND MAINTENANCE

- △ 安装前先检查铭牌内容是否符合使用要求；  
Check before you install the nameplate with the use of the contents of the requirements
- △ 安装前转动操作手柄数次，并检查触头分合闸指示位置是否正常，需将开关置于分闸位置再继续安装；  
Before turning the handle to operate the installation several times, and check the location of the contact points closing instructions are in working order, the switch will take place at another location to install gate
- △ 在开关使用过程中，如断开较大电流后，应进行一般性检修，检查开关分、合是否正常，检修后方可使用。  
In the course of using the switch, such as the large current off after a general inspection to check switch points, or whether the normal maintenance before use

## >> 订货须知 ORDER NOTICE

- 订货时需指明产品型号、规格、数量等。  
Users need attention the entitle type, character and volume of breaker.  
如：GSG2-C630/3J22 500A 50台 铁路快运  
Example: GSG2-C630/3J22 500A 50 sets  
即：约定发热电流630A的隔离开关，额定电流500A，三极产品加装两组辅助触头，柜外侧面操作，运输方式为铁路快运，共50台。  
Example: GSG2-C630/3J22 500A 50 sets conventional thermal current is 630A, rated current is 500A, 3 pole products can added with tow groups of auxiliary.