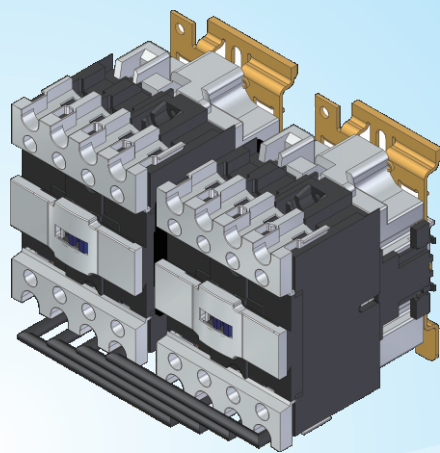


GSC1-0904N ~ 9504N联锁交流接触器
GSC1-0904N ~ 9504N Series Machine Reverse AC Contactor
——控制电器产品名录 2014

安全 智能 灵动



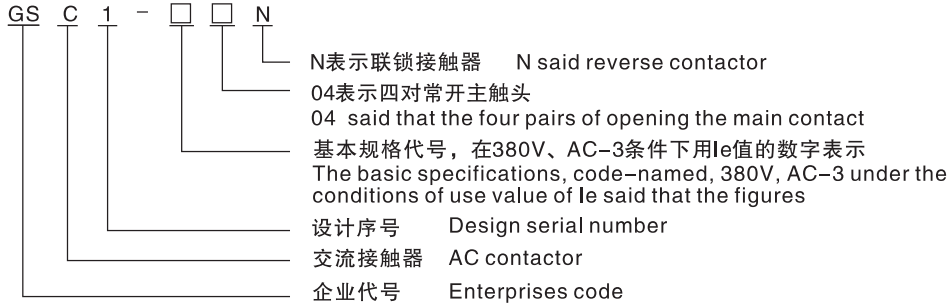
CE UL CCC TÜV CB RoHS
ISO9001 ISO14001 OHSAS18001

用途 APPLICATION

GSC1-0904N~9504N联锁交流接触器主要用于50Hz(或60Hz), 额定绝缘电压为690V, 额定工作电压至660V, 在AC-3使用类别下额定工作电压为380V时, 额定工作电流至95A的三相四线制电路中, 通过分断和接通三相主电路和中性线来达到控制双电源切换或控制可逆运转或可反向制动的电动机。

GSC1-0904N~9504N series machine reverse AC contactor is used in AC 50Hz(or 60Hz) , rated insulation voltage is up to 690V, and rated current is up to 95A under rated voltage 380V and category AC-3, for reversible control or reverse control operation motor and double-power control, may combinative with appropriate thermal overload relay as electromagnetic starter, to protect potential overload circuit.

型号含义 TYPE AND MEANING



结构特点 STRUCTURE FEATURE

- △ 动作机构为直动式, 触头为双断点;
Direct-moving, double breaking contact terminals;
- △ 产品为机械连锁、电气联锁双重联锁。
Machine and electrical apparatus double reverse.
- △ 产品的两个侧面可加装辅助触头组 (F3-d1) ;
Both sides can be fixed auxiliary contact arrangement (F3-d1);
- △ 产品的顶部可加装辅助触头组 (F3-d或F3-d2) 或空气延时头 (SK4-2/3d) ;
Can added installation auxiliary contact arrangement (F3-d or F3-d2) or air time-delay (SK4-2/3d) on above;
- △ 线圈接线端可加装过电压抑制器等功能模块;
Wiring terminal can be added over-voltage suppressor other function model;

工作条件和安装条件 WORKING CONDITION AND INSTALLATION CONDITION

- △ 周围空气温度-25℃ ~ +60℃;
Ambient temperature: -25℃ ~ +60℃;
- △ 安装地点海拔不超过3000m; Elevation≤3000m;
- △ 最高温度为+40℃时, 空气的相对湿度为不超过85%, 对由于温度变化偶尔产生的凝露应采取特殊的措施;
Relative humidity is not exceeding 85% at the maximum ambient temperature +40℃. Should give consideration to the dews, which would appear due to temperature change;
- △ 污染等级为“污染等级3”; Pollution grade: Grade 3;
- △ 安装类别为“安装类别Ⅲ”; Installation categories: class Ⅲ;
- △ 产品安装面与垂直面的倾斜度不大于22.5° ;
The inclined angle between the mounting surface and vertical surface no more than 22.5° ;
- △ 除用螺钉安装外, 还可采用35mm、75 mm标准卡轨安装。
Installation way: mounted by screw or 35mm、75mm standard rail track.

规格 CHARACTER

■ 接触器规格见表1 Contactor specifications (as table 1)

表(Table) 1

型号 type	额定工作电流A (AC-3 380V)	控制三相鼠笼电动机功率 kW Control of three-phase squirrel cage motor power				
		220V	380V	415V	440V	660V
GSC1-0904N	9	2.2	4	4	4	5.5
GSC1-1204N	12	3	5.5	5.5	5.5	7.5
GSC1-1804N	18	4	7.5	9	9	9
GSC1-2504N	25	5.5	11	11	11	15
GSC1-4004N	40	11	18.5	22	22	30
GSC1-5004N	50	15	22	25	25	33
GSC1-6504N	65	18.5	30	37	37	37
GSC1-8004N	80	22	37	45	45	45
GSC1-9504N	95	25	45	45	45	45

技术参数 TECHNICAL PARAMETERS

■ 产品技术参数见表2 Product technical parameters (as table 2)

表(Table)2

参数 parameters		型号 type	GSC1-0904N	GSC1-1204N	GSC1-1804N	GSC1-2504N	GSC1-4004N	GSC1-5004N	GSC1-6504N	GSC1-8004N	GSC1-9504N
额定工作电流 Ie A (AC-3) Rated working current	380V		9	12	18	25	40	50	65	80	95
	660V		6.6	8.9	12	18	34	39	42	49	49
约定发热电流 Ith A Conventional thermal current			25	25	32	40	60	80	80	125	125
额定工作电压 Ue V Rated work voltage			380 660								
额定绝缘电压 Ui V Rated Insulation voltage			690								
AC-3 (6le, Ie)	电寿命(10 ⁴ 次) Electric life span		80	80	60	60	60	60	60	50	
	操作频率 h ⁻¹ Operation frequency		1200			600					
AC-4 (6le, 6Ie)	电寿命(10 ⁴ 次) Electric life span		15				10				
	操作频率 h ⁻¹ Operation frequency		300				200				
	额定工作电流 Ie A Rated working current	380V	3.5	5	7.7	8.5	18.5	24	28	37	44
		660V	1.5	2	3.8	4.4	9	12	14	17	21.3
线圈 Coil	额定控制电压 Us V rated control voltage		24,48,110,220,380								
	吸合电压 Pull voltage		0.85Us ~ 1.1Us								
	释放电压 Release voltage		0.2Us ~ 0.75Us								
机械寿命 10 ⁴ 次 Machinery life span of trip times			100								

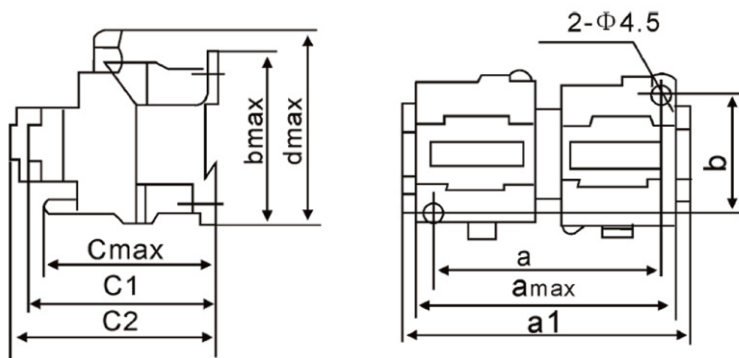
■ 接线端子连接导线能力见表3: Terminal connection conductors capacity (as Table 3):

表(Table)3

名称 Name		GSC1-0904N/1204N	GSC1-1804N/2504N	GSC1-4004N/5004N/ 6504N		GSC1-8004N/9504N		连锁机构			
接线能力 mm ² Terminal wiring	导线根数 Wire a few root	1	2	1	2	1	2	1	2	1	2
	软线 Soft Line	2.5	2.5	4	4	16	16	50	25	2.5	2.5
	硬线 Hard Line	4	4	6	-	25	-	50	-	4	4

外型及安装尺寸 OUTLINE AND MOUNTING DIMENSIONS

■ GSC1-0904N/1204N/1804N/2504N



注(Remark):

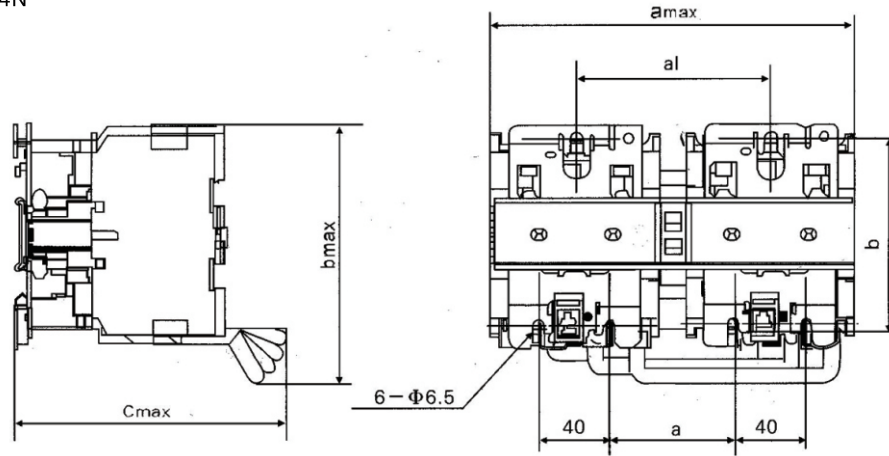
C1: GSC1-N+F3-d

C2: GSC1-N+SK4-2/3d

a1: GSC1-N+2 (F3-d1)

接触器型号 type	amax	bmax	cmax	dmax	a	a1	b	C1	C2
GSC1-0904N/1204N	112	76	87	86	96±0.7	138	50/60	115	134
GSC1-1804N/2504N	134	86	102	98	112±0.7	168	50/60	130	149

■ GSC1-4004N ~ 9504N

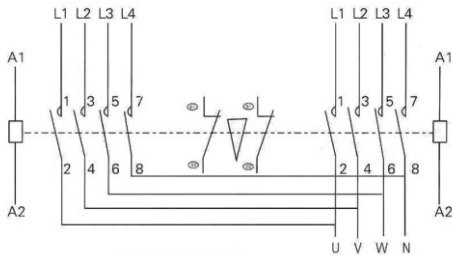


接触器型号 type	amax	bmax	cmax	a	a1	b	备注 Remark
GSC1-4004N/ 5004N/6504N	185	146	162	56±1	96±1	100±1.1/110±1.1	也可以用75mm标准卡轨安装 Also use the 75mm standard rail installation
GSC1-8004N/9504N	206	152	170	71±1	111±1	100±1.1/110±1.1	

接线图 WIRING PICTURE

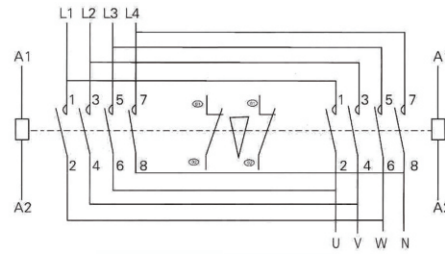
■ 控制双电源切换时接线图

Control dual power switch wiring diagram



■ 控制可逆运转或反向制动时接线图

Control reversible operation or reverse brake wiring diagram



注意事项 ANNOUNCEMENTS

- △ 产品在使用时应按照接线图要求接线。
Product wiring diagram should be used in accordance with the requirements of wiring.
- △ 用户若需要控制可逆运转时，可以要求特殊订货。
If users need to control a reversible operation, you can request a special order.

订货须知 ORDER REMARK

- 在订货时指明下列事项： In order need attention following:
 - △ 联锁接触器的全型号及名称； Entitle type of reverse contactor;
 - △ 控制线圈的频率及电压； Frequency and Voltage of control coil;
 - △ 订购数量： Order volume:
 - 例如：联锁交流接触器： GSC1-0904N M7 220V 50Hz/60Hz 10台
 - Example: reverse contactor: GSC1-0904N M7 220V 50Hz/60Hz 10 sets
 - 表示订购额定工作电流为9A，线圈控制电压为交流50Hz/60Hz，220V的四极联锁交流接触器10台。
 - Means need: the contactor is 9A 4 pole machine reverse AC Contactor, control voltage frequency 50Hz/60Hz, voltage 220V, volume 20 sets.